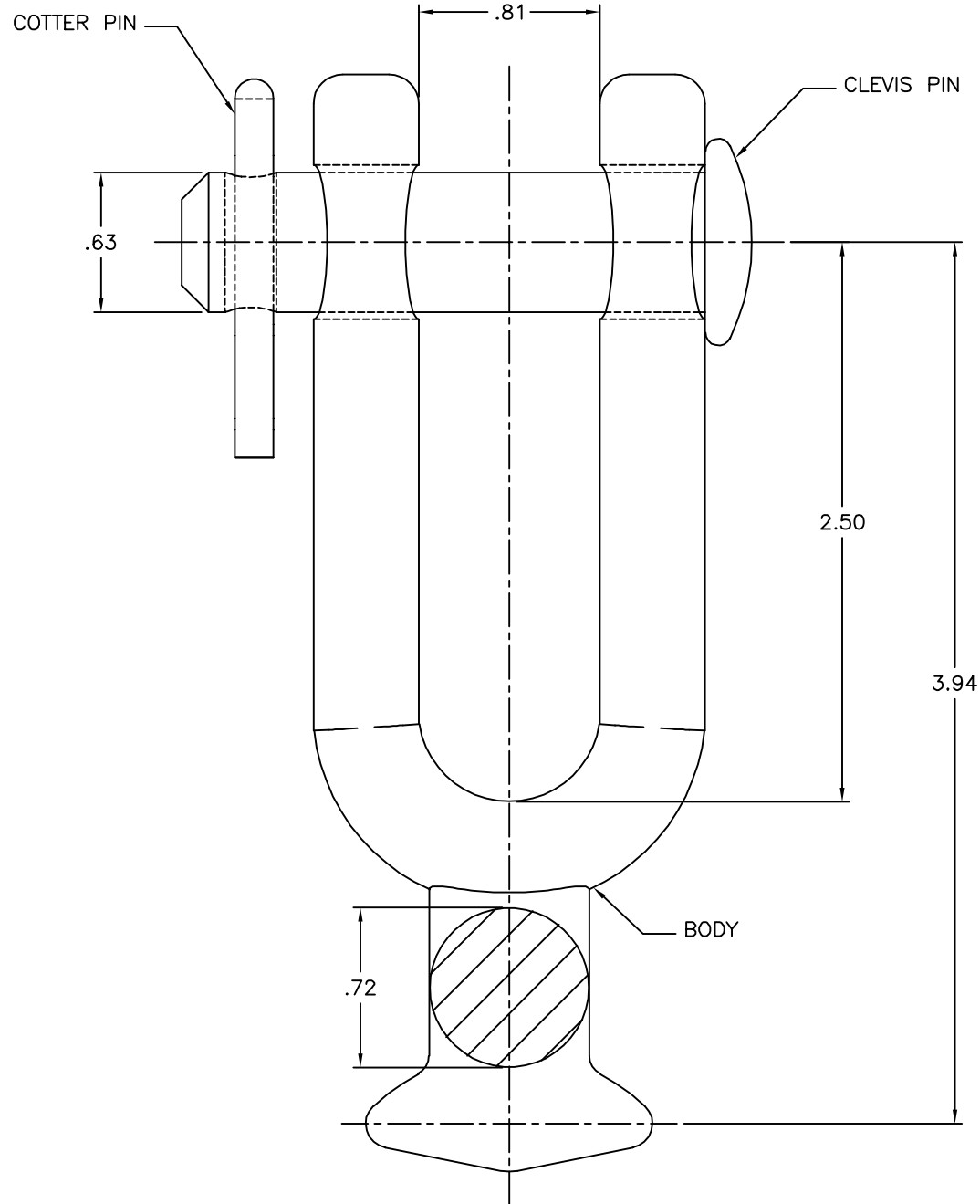
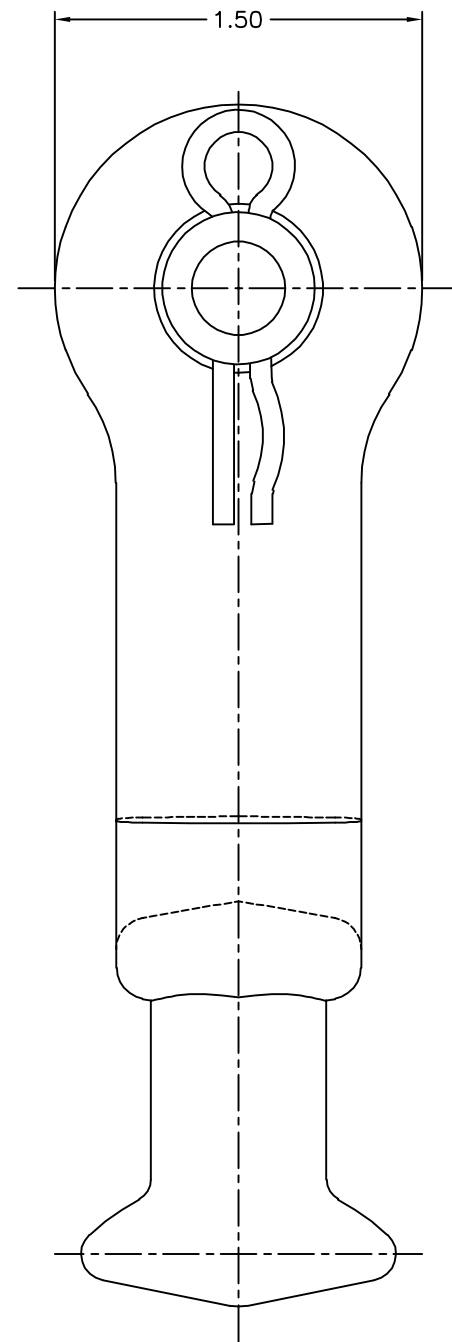


4

3

2

1



NOTES:

- 1. MATERIAL: BODY - GALV. STEEL
CLEVIS PIN - GALV. STEEL
COTTER PIN - STAINLESS STEEL
- 2. HOT DIP GALVANIZED PER ASTM A153.
- 3. DIMENSIONS IN INCHES.
- 4. ULTIMATE STRENGTH: 30,000 LBS.
- 5. WEIGHT: 1.26 LBS. APPROX.

EC #	DATE	CHG BY	LEB CKD BY	PTB APPD BY
--	--	--	LEB	PTB
DESC OF DWG: DRAWING CREATED IN AUTOCAD				
--				
--				
--				
REASON (S) FOR CHANGE: --				
DISPOSITION OF MAT'L: --				

PRELIMINARY ONLY

THIRD ANGLE PROJECTION

CONFIDENTIAL: THIS DRAWING AND ITS CONTENTS ARE CONFIDENTIAL AND THE EXCLUSIVE PROPERTY OF HUBBELL POWER SYSTEMS. NO PUBLICATION, DISTRIBUTION, OR COPIES MAY BE MADE WITHOUT THE WRITTEN CONSENT OF HUBBELL POWER SYSTEMS. HUBBELL POWER SYSTEMS UNPUBLISHED ALL RIGHTS RESERVED UNDER THE COPYRIGHT LAWS.



TITLE

BALL CLEVIS
30K LBS. ULT.

CATALOG NUMBER: 704882000			
SIZE B	DWG NO. CUTSHEET	PART / ASSY NO. --	REV A
SCALE: NS	DRN BY: SV	DATE: 04/17/20	SHEET 1 OF 1

4

3

2

UNCONTROLLED COPY WHEN PRINTED 1